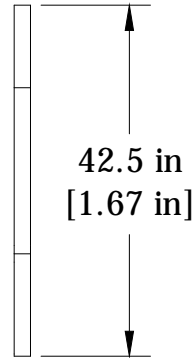
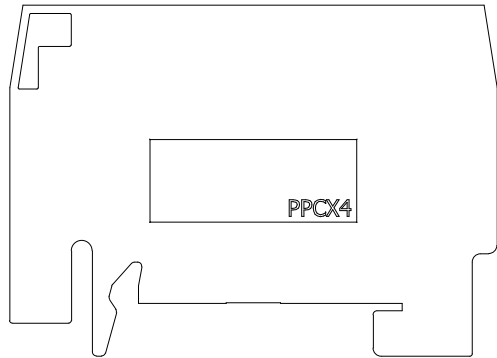
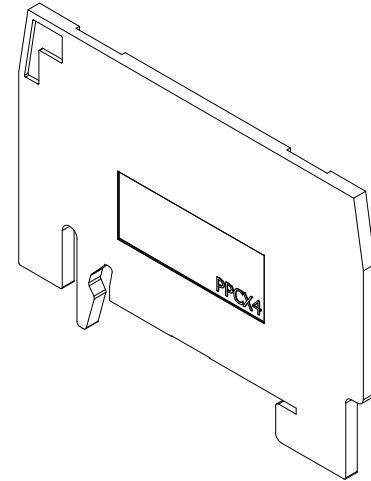
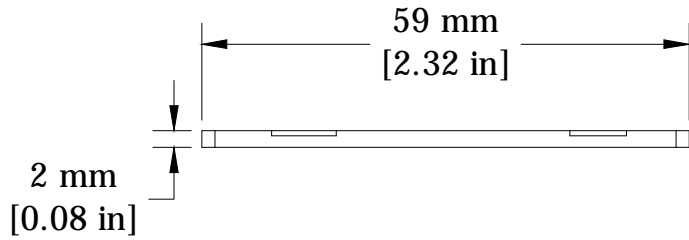


REVISIONS FOR DWG # PPCX4

REV	CH.NO.	DESCRIPTION	DATE	REVISED BY
-	-	ORIGINAL DESIGN	06/27/16	ARON G



UNLESS OTHERWISE SPECIFIED • ALL DIMENSIONS ARE IN MILLIMETERS • THIRD ANGLE PROJECTION		This Drawing is the property of Altrech Corp. 35 Royal Road Flemington NJ 08822-6000 (908) 806-9400 • Fax (908) 806-9490		AND IS A CONFIDENTIAL DISCLOSURE LENT WITHOUT CONSIDERATION OTHER THAN THE BORROWER'S AGREEMENT THAT IT SHALL NOT BE REPRODUCED, COPIED, LENT, OR DISPOSED OF DIRECTLY OR INDIRECTLY NOR USED FOR ANY PURPOSE OTHER THAN THAT FOR WHICH IT IS SPECIFICALLY FURNISHED.		TITLE: Partition Plate Terminal Block Accessories		
• TOLERANCE XX ⌀ 1.00 mm XX.X ⌀ 0.50 mm XX.XX ⌀ 0.20 mm ALL ⌀ XX mm		CIRTEK		DRAWN BY: Aron Gyorgypal	06/27/16	DRAWING NO.: M-Cad-2dr-PPCX4		REV.: -
				CHECKED BY: Laszlo G	06/27/16	SCALE: -	SHEET: 1	OF: 1
				RELEASED BY: Laszlo G	06/27/16			