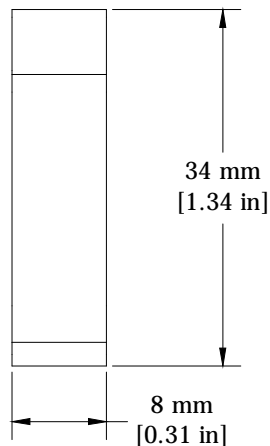
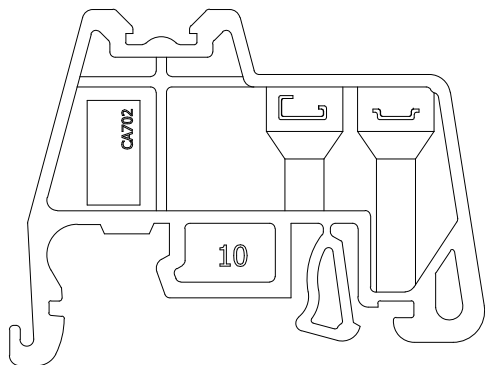
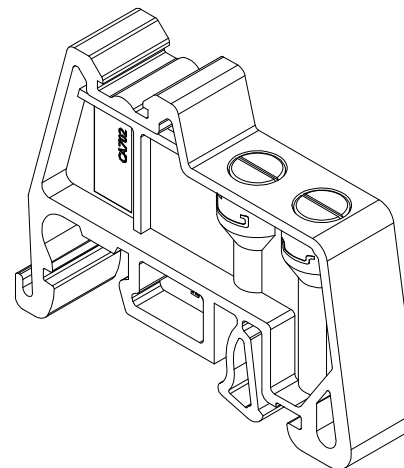
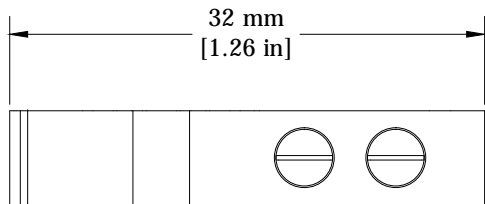


REVISIONS FOR DWG # CA702

REV	CH.NO.	DESCRIPTION	DATE	REVISED BY
-	-	ORIGINAL DESIGN	06/27/16	ARON G



UNLESS OTHERWISE SPECIFIED

- ALL DIMENSIONS ARE IN MILLIMETERS
- THIRD ANGLE PROJECTION

• TOLERANCE

XX	∅	1.00 mm
XX.X	∅	0.50 mm
XX.XX	∅	0.20 mm
ALL	∅	XX mm

C-THINK

This Drawing is the property of

Altrech Corp.

35 Royal Road
Flemington NJ 08822-6000
(908) 806-9400 • Fax (908) 806-9490

AND IS A CONFIDENTIAL DISCLOSURE LENT WITHOUT CONSIDERATION OTHER THAN THE BORROWER'S AGREEMENT THAT IT SHALL NOT BE REPRODUCED, COPIED, LENT, OR DISPOSED OF DIRECTLY OR INDIRECTLY NOR USED FOR ANY PURPOSE OTHER THAN THAT FOR WHICH IT IS SPECIFICALLY FURNISHED.

TITLE: End Clamp/Stop
Terminal Block Accessories

DRAWN BY: Aron Gyorgypal	06/27/16	DRAWING NO.:	REV.:
CHECKED BY: Laszlo G	06/27/16	M-Cad-2dr-CA702	-
RELEASED BY: Laszlo G	06/27/16	SCALE: -	SHEET: 1 OF: 1