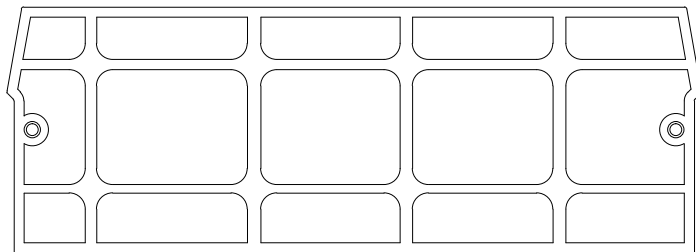
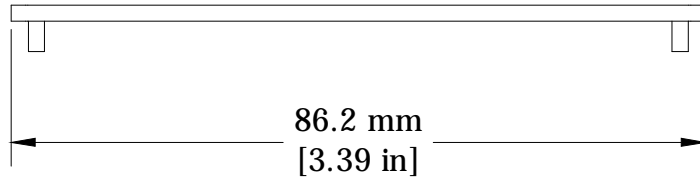
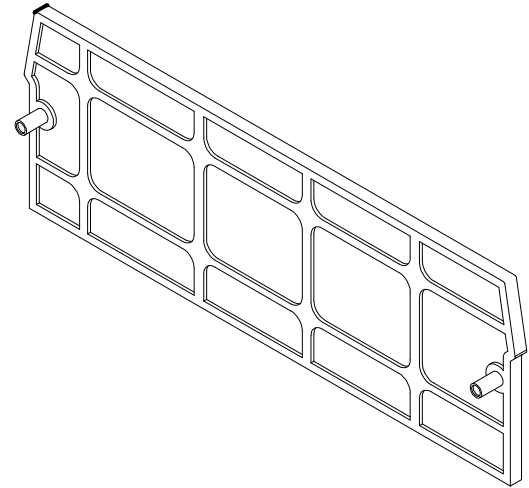


REVISIONS FOR DWG # EPCX4/4

REV	CH.NO.	DESCRIPTION	DATE	REVISED BY
-	-	ORIGINAL DESIGN	06/23/16	ARON G



UNLESS OTHERWISE SPECIFIED

- ALL DIMENSIONS ARE IN MILLIMETERS
- THIRD ANGLE PROJECTION

• TOLERANCE

XX	∅	1.00 mm
XX.X	∅	0.50 mm
XX.XX	∅	0.20 mm
ALL	∅	XX mm

CIRTEK

This Drawing is the property of

**Altrech Corp.**<sup>®</sup>

35 Royal Road  
Flemington NJ 08822-6000  
(908) 806-9400 • Fax (908) 806-9490

AND IS A CONFIDENTIAL DISCLOSURE  
LENT WITHOUT CONSIDERATION OTHER  
THAN THE BORROWER'S AGREEMENT  
THAT IT SHALL NOT BE REPRODUCED,  
COPIED, LENT, OR DISPOSED OF  
DIRECTLY OR INDIRECTLY NOR USED  
FOR ANY PURPOSE OTHER THAN THAT  
FOR WHICH IT IS SPECIFICALLY  
FURNISHED.

TITLE: Terminal End Plate

DRAWN BY: Aron Gyorgypal	06/23/16	DRAWING NO.:	REV.:
CHECKED BY: Laszlo G	06/23/16	M-Cad-2dr-EPCX4/4	-
RELEASED BY: Laszlo G	06/23/16	SCALE: -	SHEET: 1 OF: 1