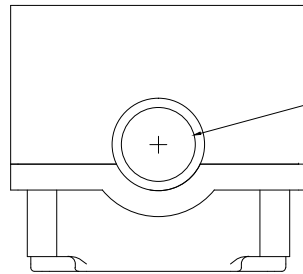
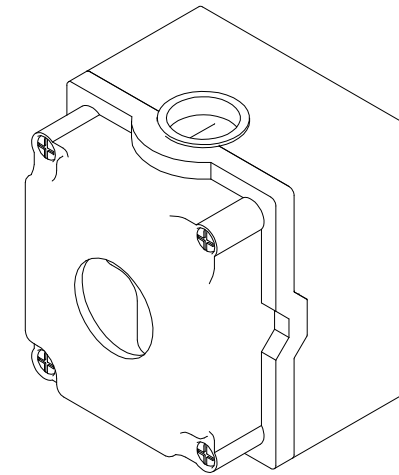


REVISIONS FOR DWG # 7012A13

REV	CH.NO.	DESCRIPTION	DATE	REVISED BY
-	-	ORIGINAL DESIGN	06/30/16	ARON G

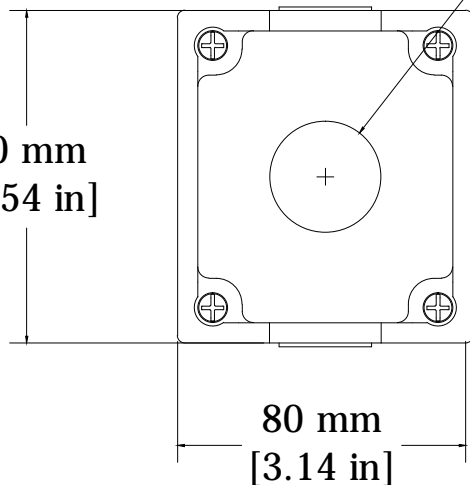


2x1/2"-14NPT

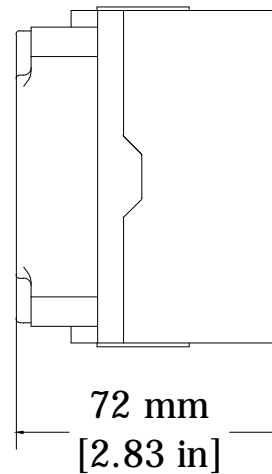


∅30 mm

90 mm
[3.54 in]



80 mm
[3.14 in]



72 mm
[2.83 in]

UNLESS OTHERWISE SPECIFIED

- ALL DIMENSIONS ARE IN MILLIMETERS
- THIRD ANGLE PROJECTION

• TOLERANCE

XX	∅	1.00 mm
XX.X	∅	0.50 mm
XX.XX	∅	0.20 mm
ALL	∅	XX mm

CIRTEK

This Drawing is the property of

Altrech Corp.

35 Royal Road
Flemington NJ 08822-6000
(908) 806-9400 • Fax (908) 806-9490

AND IS A CONFIDENTIAL DISCLOSURE LENT WITHOUT CONSIDERATION OTHER THAN THE BORROWER'S AGREEMENT THAT IT SHALL NOT BE REPRODUCED, COPIED, LENT, OR DISPOSED OF DIRECTLY OR INDIRECTLY NOR USED FOR ANY PURPOSE OTHER THAN THAT FOR WHICH IT IS SPECIFICALLY FURNISHED.

TITLE: 30mm Aluminum Enclosure
PN: 7012A13

DRAWN BY: Aron Gyorgypal	06/30/16	DRAWING NO.:	M-Cad-1PB-7012A3	REV.:	-
CHECKED BY: Laszlo G	06/30/16	SCALE:	-	SHEET:	1 OF: 1
RELEASED BY: Laszlo G	06/30/16				