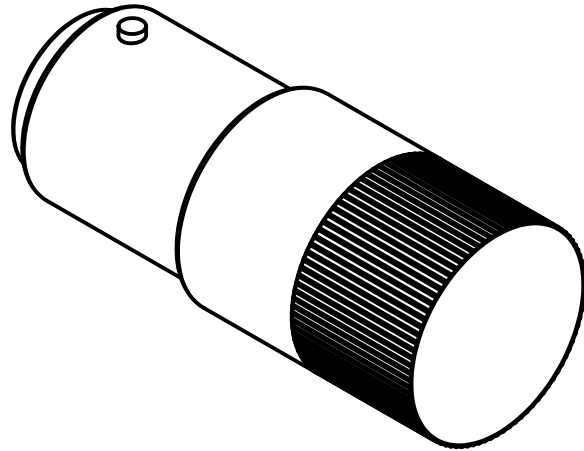


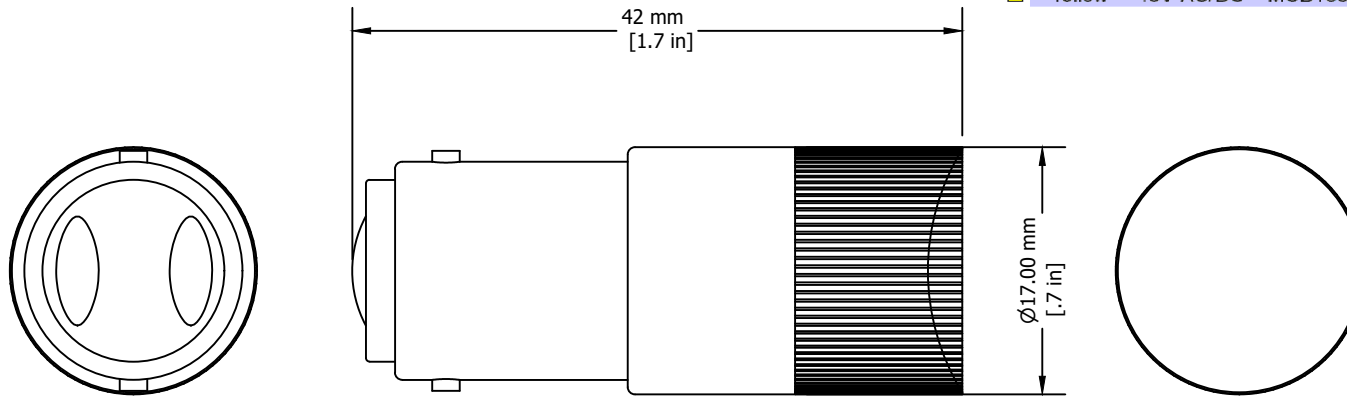
REVISIONS FOR DWG # MCB15xyyy

REV	CH.NO.	DESCRIPTION	DATE	REVISED BY
-	-	ORIGINAL DESIGN	07/26/16	ARON G



Replacement LED Bulbs

Color	Voltage	Cat No.	Color	Voltage	Cat No.
<b>12V AC/DC</b>			<b>110V AC/DC</b>		
<input type="checkbox"/> White	12V AC/DC	MCB15112	<input type="checkbox"/> White	110V AC/DC	MCB151110
<input checked="" type="checkbox"/> Green	12V AC/DC	MCB15312	<input checked="" type="checkbox"/> Green	110V AC/DC	MCB153110
<input checked="" type="checkbox"/> Red	12V AC/DC	MCB15412	<input checked="" type="checkbox"/> Red	110V AC/DC	MCB154110
<input checked="" type="checkbox"/> Amber	12V AC/DC	MCB15512	<input checked="" type="checkbox"/> Amber	110V AC/DC	MCB155110
<input checked="" type="checkbox"/> Blue	12V AC/DC	MCB15612	<input checked="" type="checkbox"/> Blue	110V AC/DC	MCB156110
<input checked="" type="checkbox"/> Yellow	12V AC/DC	MCB15812	<input checked="" type="checkbox"/> Yellow	110V AC/DC	MCB158110
<b>24V AC/DC</b>			<b>230V AC</b>		
<input type="checkbox"/> White	24V AC/DC	MCB15124	<input type="checkbox"/> White	230V AC	MCB151230
<input checked="" type="checkbox"/> Green	24V AC/DC	MCB15324	<input checked="" type="checkbox"/> Green	230V AC	MCB153230
<input checked="" type="checkbox"/> Red	24V AC/DC	MCB15424	<input checked="" type="checkbox"/> Red	230V AC	MCB154230
<input checked="" type="checkbox"/> Amber	24V AC/DC	MCB15524	<input checked="" type="checkbox"/> Amber	230V AC	MCB155230
<input checked="" type="checkbox"/> Blue	24V AC/DC	MCB15624	<input checked="" type="checkbox"/> Blue	230V AC	MCB156230
<input checked="" type="checkbox"/> Yellow	24V AC/DC	MCB15824	<input checked="" type="checkbox"/> Yellow	230V AC	MCB158230
<b>48V AC/DC</b>			<b>230V DC</b>		
<input type="checkbox"/> White	48V AC/DC	MCB15148	<input type="checkbox"/> White	230V DC	MCB151230D
<input checked="" type="checkbox"/> Green	48V AC/DC	MCB15348	<input checked="" type="checkbox"/> Green	230V DC	MCB153230D
<input checked="" type="checkbox"/> Red	48V AC/DC	MCB15448	<input checked="" type="checkbox"/> Red	230V DC	MCB154230D
<input checked="" type="checkbox"/> Amber	48V AC/DC	MCB15548	<input checked="" type="checkbox"/> Amber	230V DC	MCB155230D
<input checked="" type="checkbox"/> Blue	48V AC/DC	MCB15648	<input checked="" type="checkbox"/> Blue	230V DC	MCB156230D
<input checked="" type="checkbox"/> Yellow	48V AC/DC	MCB15848	<input checked="" type="checkbox"/> Yellow	230V DC	MCB158230D



UNLESS OTHERWISE SPECIFIED  
 • ALL DIMENSIONS ARE IN MILLIMETERS  
 • THIRD ANGLE PROJECTION

• TOLERANCE

XX	∅	1.00 mm
XX.X	∅	0.50 mm
XX.XX	∅	0.20 mm
ALL	∅	XX mm

C-RTM

This Drawing is the property of  
**Altrech Corp.**<sup>®</sup>  
 35 Royal Road  
 Flemington NJ 08822-6000  
 (908) 806-9400 • Fax (908) 806-9490

AND IS A CONFIDENTIAL DISCLOSURE  
 LENT WITHOUT CONSIDERATION OTHER  
 THAN THE BORROWER'S AGREEMENT  
 THAT IT SHALL NOT BE REPRODUCED,  
 COPIED, LENT, OR DISPOSED OF  
 DIRECTLY OR INDIRECTLY NOR USED  
 FOR ANY PURPOSE OTHER THAN THAT  
 FOR WHICH IT IS SPECIFICALLY  
 FURNISHED.

TITLE: LED Replacement Bulbs

DRAWN BY: Aron Gyorgypal	07/26/16	DRAWING NO.:	M-Cad-1PB-MCB15xyyy	REV.:	-
CHECKED BY: Laszlo G	07/26/16	SCALE:	-	SHEET:	1 OF: 1
RELEASED BY: Laszlo G	07/26/16				